

MDA MAXI-DRY® ADAPTER
ADAPTER X FEMALE NPT THREAD

Made in the U.S.A.



Size	Part Name	Item #	Item #	Item #	Item #
1-1/2"	MD15A	40001530	40001530V	40001530T	40001530E
2"	MD20A	40000230	40000230V	40000230T	40000230E
3"	MD30A	40000330	40000330V	40000330T	40000330E
4"	MD40A	40000340	40000340V	☎	40000340E

Size	Part Name	Item #	Item #	Item #	Item #
1-1/2"	MD15A	44001530	44001530V	44001530T	44001530E
2"	MD20A	44000230	44000230V	44000230T	44000230E
3"	MD30A	44000330	44000330V	44000330T	44000330E

MDPFA MAXI-DRY® PIPE FLANGE X ADAPTER

Made in the U.S.A.



Pipe Flange bolt pattern conforms to ANSI B16.5 Class 150

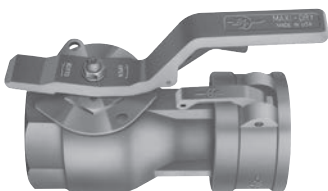
Size	Part Name	Item #	Item #	Item #
2"	MD20PFA	☎	☎	☎
3"	*MD30PFA	☎	46000330V	46000330T
4"	MD40PFA	46000400	☎	☎

Size	Part Name	Item #	Item #	Item #	Item #
2"	MD20PFA	47000230	47000230V	47000230T	☎
3"	*MD30PFA	47000330	☎	47000330T	☎
4"	MD40PFA	☎	☎	47000440T	☎

*Denotes parts are produced as welded fabrication.

MDD MAXI-DRY® COUPLER
COUPLER X FEMALE NPT THREAD

Made in the U.S.A.



Size	Part Name	Item #	Item #	Item #	Item #
1-1/2"	MD15D	40001500	40001500V	40001500T	40001500E
2"	MD20D	40000200	40000200V	40000200T	40000200E
3"	MD30D	40000300	40000300V	40000300T	40000300E
4"	MD40D	40000342	40000342V	☎	☎

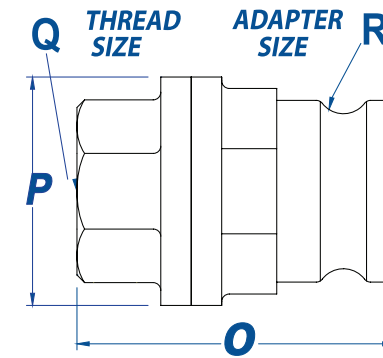
Size	Part Name	Item #	Item #	Item #	Item #
1-1/2"	MD15D	44001500	44001500V	44001500T	44001500E
2"	MD20D	44000200	44000200V	44000200T	44000200E
3"	MD30D	44000300	44000300V	44000300T	44000300E
4"	MD40D	☎	44000342V	☎	☎

All registered trademarks are the property of their respective owners.

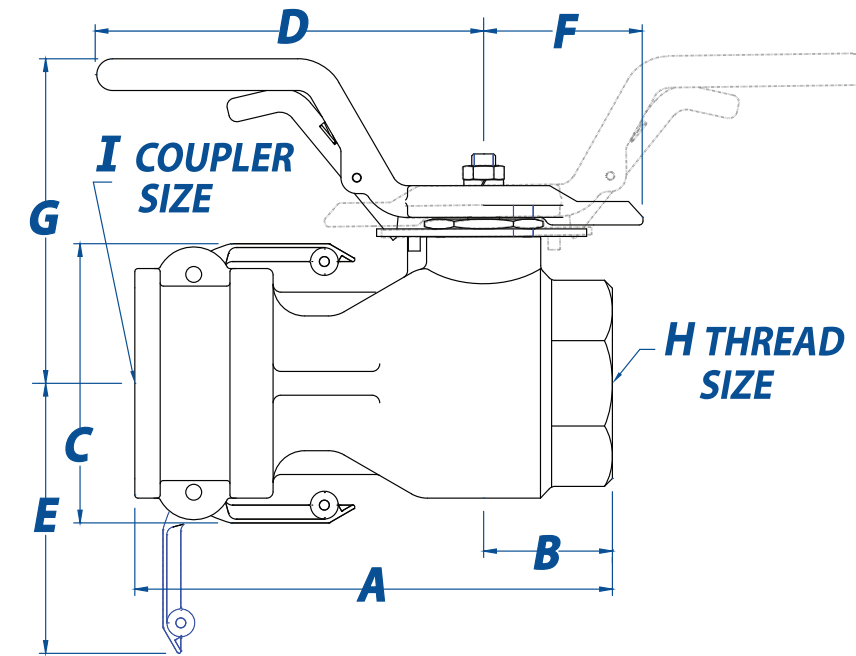
MAXI-DRY® ADAPTER

Adapter	Pressure Rating	O	P	Q	R
MD15A	200 PSI	4.3	3.2	1 1/2" NPT	2
MD20A	150 PSI	5.2	3.7	2" NPT	2.5
MD30A	125 PSI	6.8	5.6	3" NPT	4
MD40A	125 PSI	6.8	5.6	4" NPT	4

Dimensions are in inches.



MAXI-DRY®
Made in the U.S.A.



MAXI-DRY® COUPLER

Size	Coupler	Pressure Rating	A	B	C	D	E	F	G	H	I
1 1/2"	MD15D	200 PSI	6.9	1.5	3.9	6.1	4.1	2.5	5.0	1 1/2" NPT	2.0
2"	MD20D	150 PSI	7.5	2.0	4.4	6.1	4.3	2.5	5.1	2" NPT	2.5
3"	MD30D	125 PSI	9.5	2.5	6.5	9.0	5.5	4.0	6.0	3" NPT	4.0
4"	MD40D	125 PSI	9.5	2.5	6.5	9.0	5.5	4.0	6.2	4" NPT	4.0

